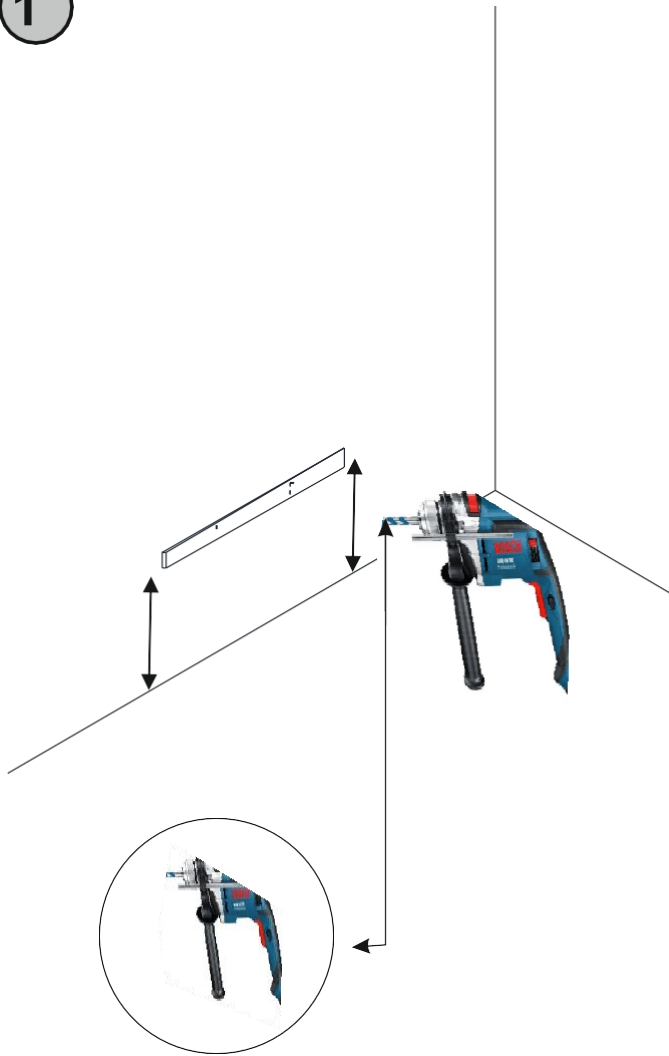
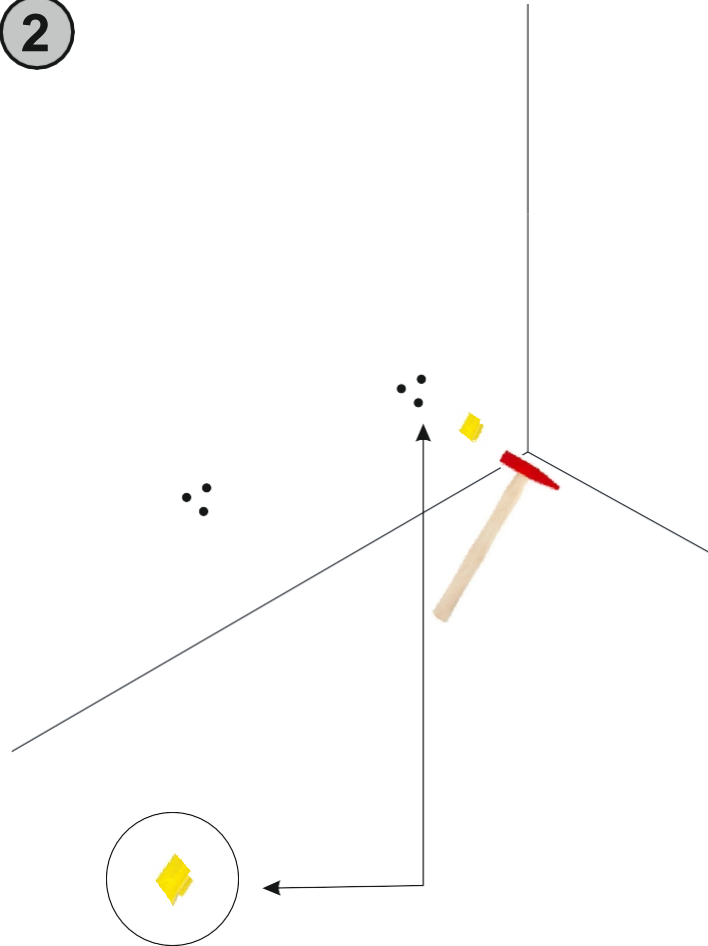


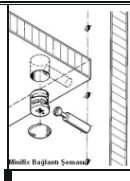
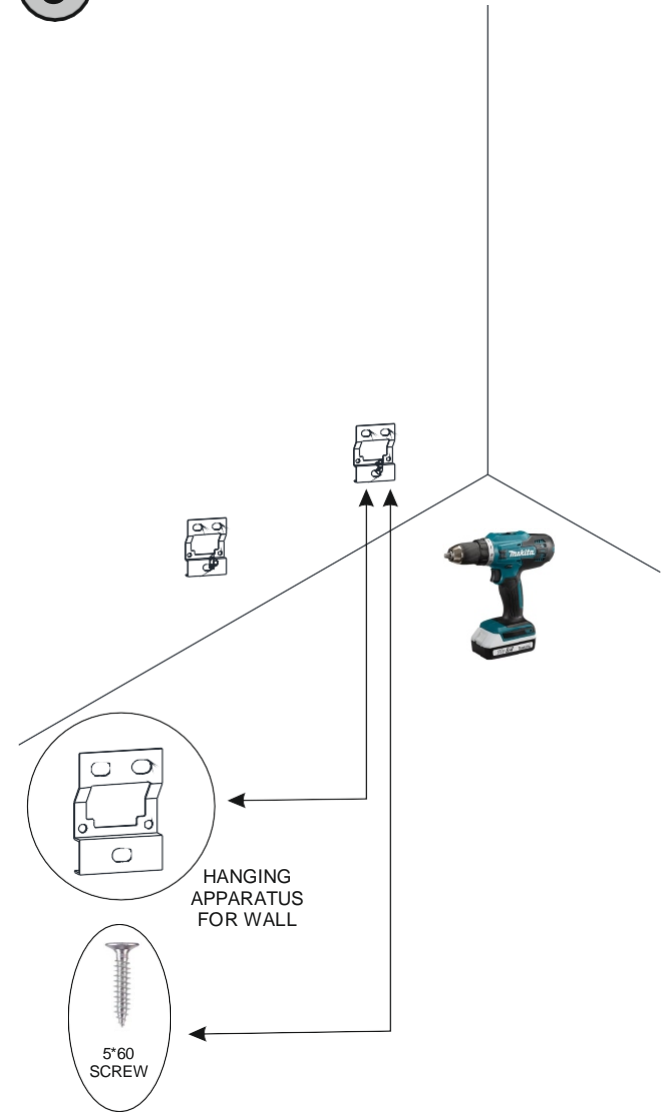
1



2



3



TOOLS

5*60 SCREW	3.5*18 SCREW	DOWEL	HANGING APPARATUS FOR WALL	HANGING APPARATUS
6 PCS	12 PCS	6 PCS	2 PCS	2 PCS

PCS

6 PCS

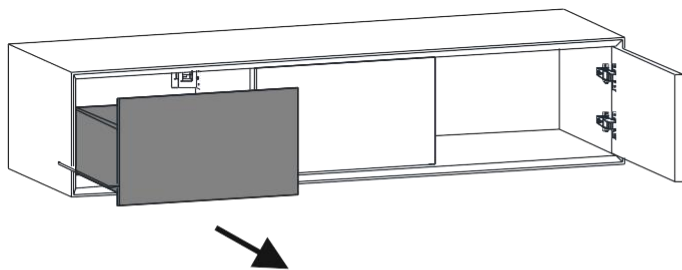
12 PCS

6 PCS

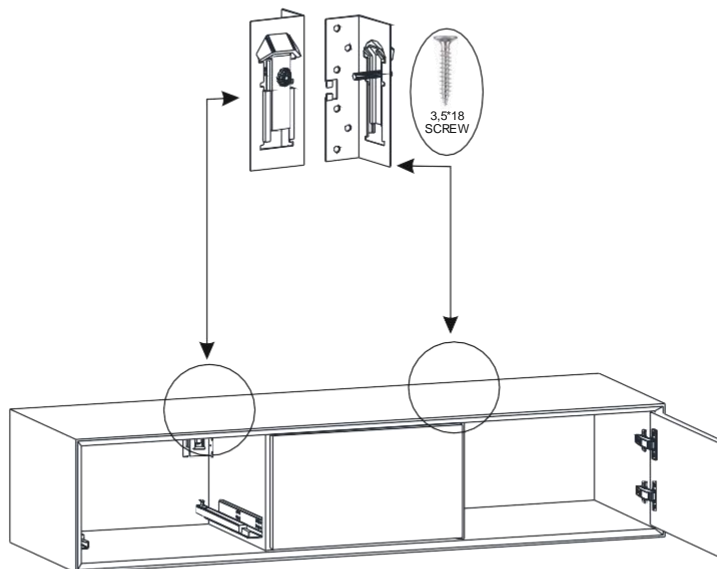
2 PCS

2 PCS

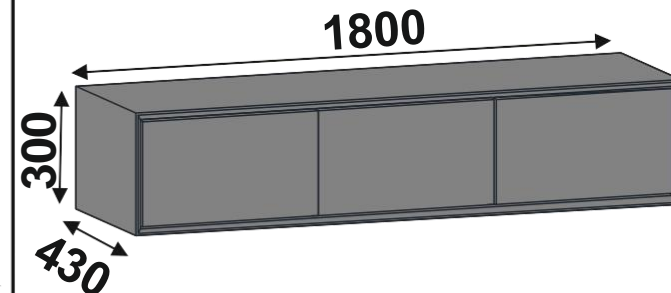
4



5



6



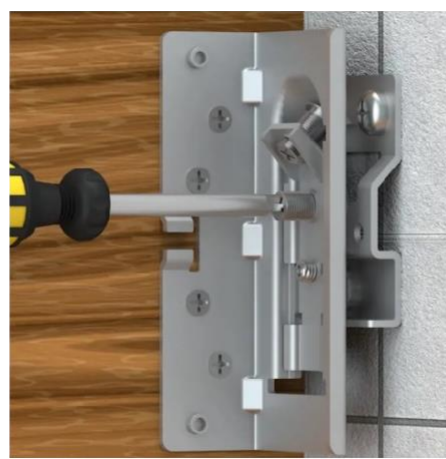
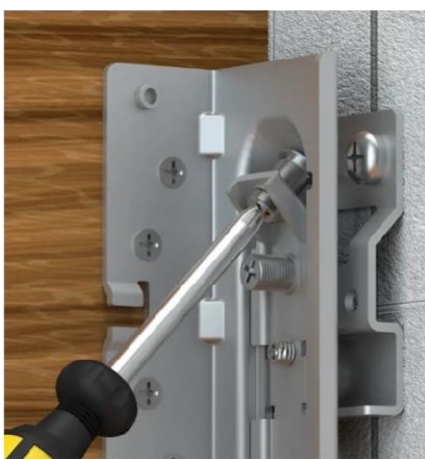
hang the tv unit on the wall

adjust the tv unit's height and balance

fix the screws

fix the other screw for safety

place the covers from inside of tv unit



02-24