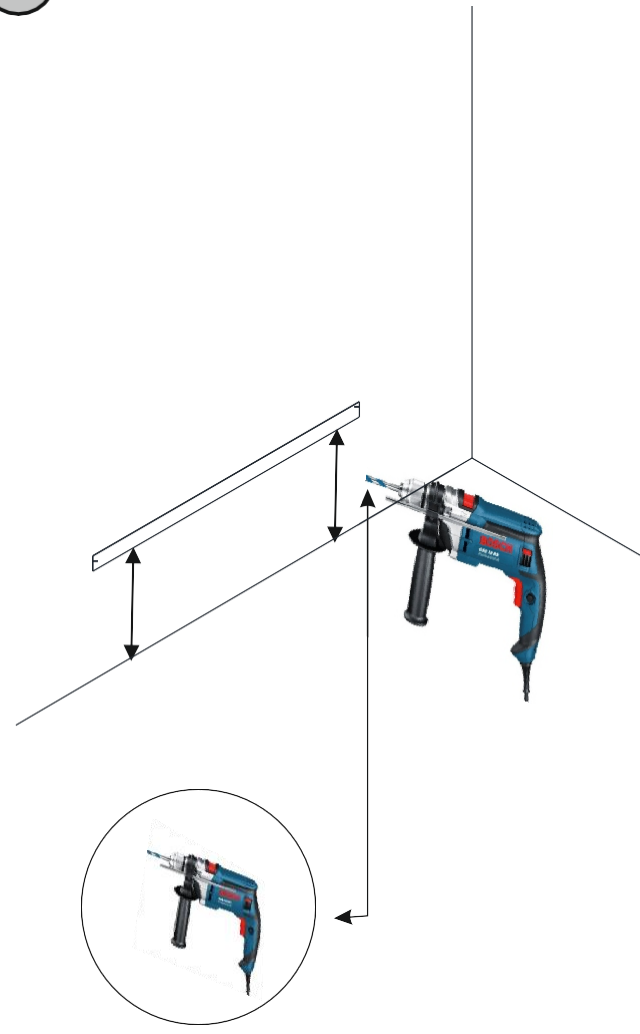
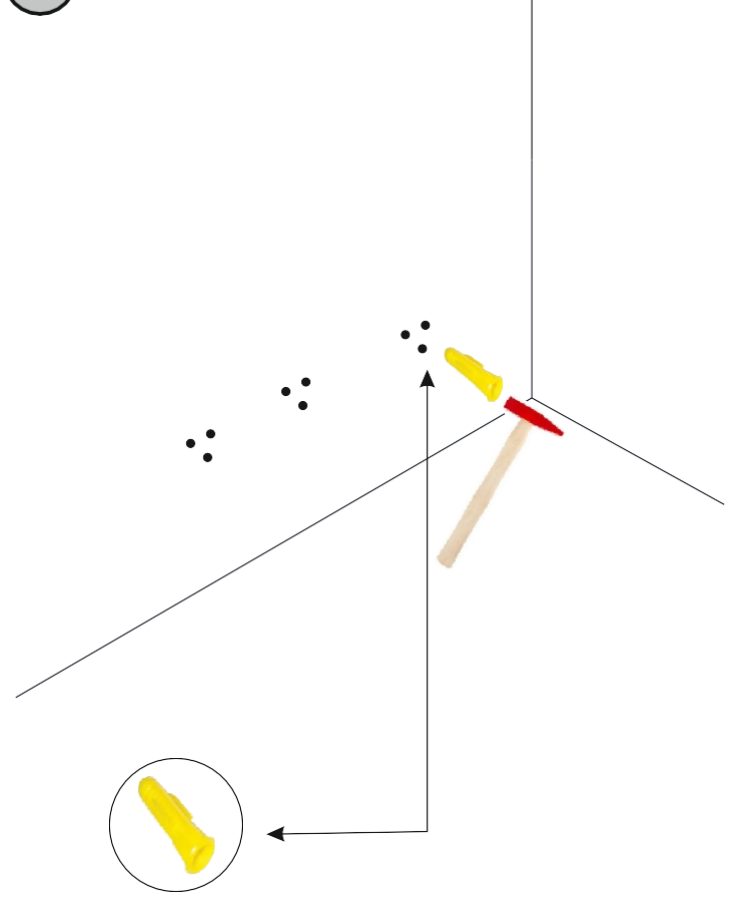


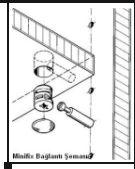
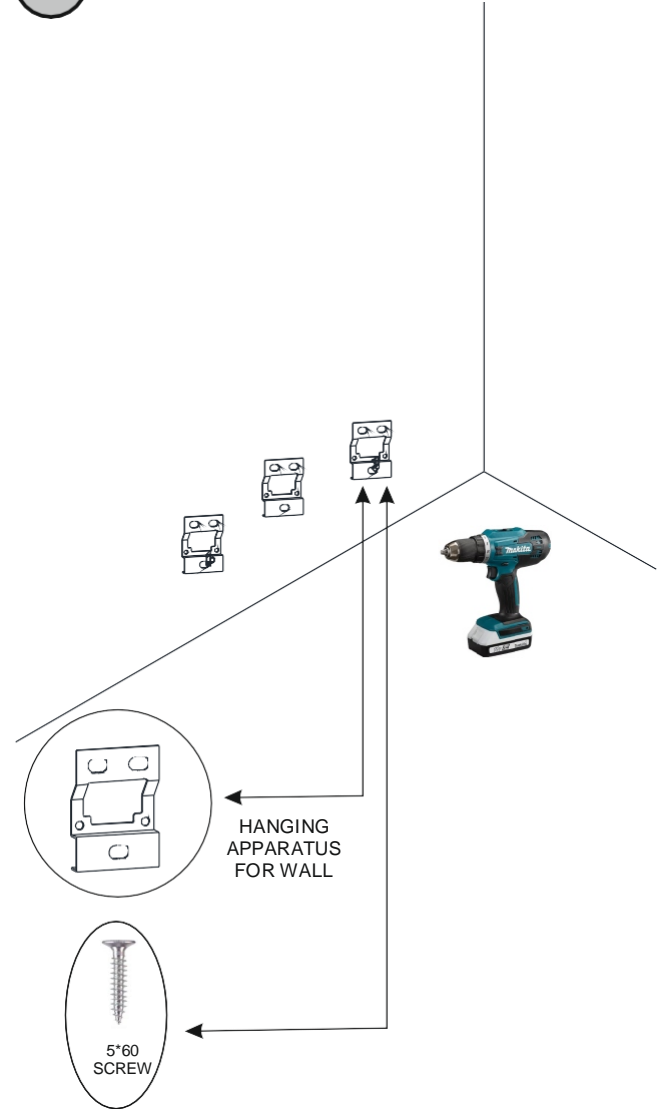
1



2

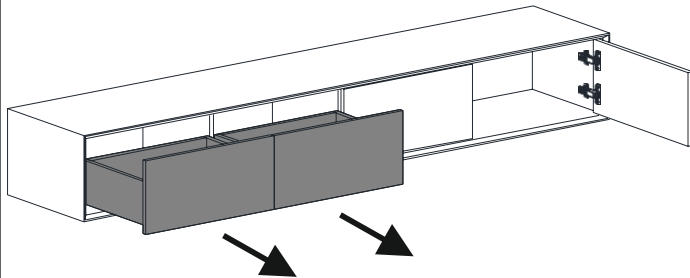


3

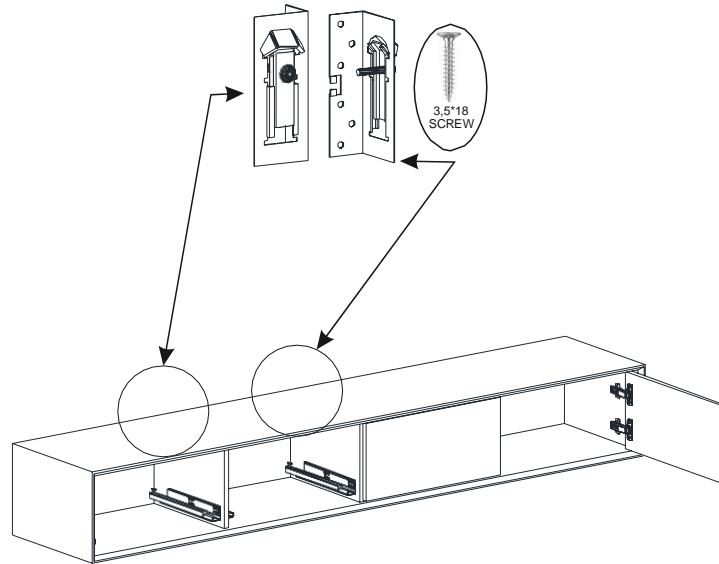


TOOLS	5*60 SCREW	3,5*18 SCREW	DOWEL	HANGING APPARATUS FOR WALL	HANGING APPARATUS
PCS	9 PCS	18 PCS	9 PCS	3 PCS	3 PCS

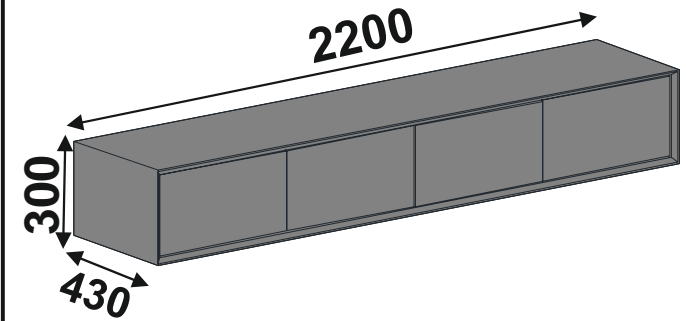
4



5



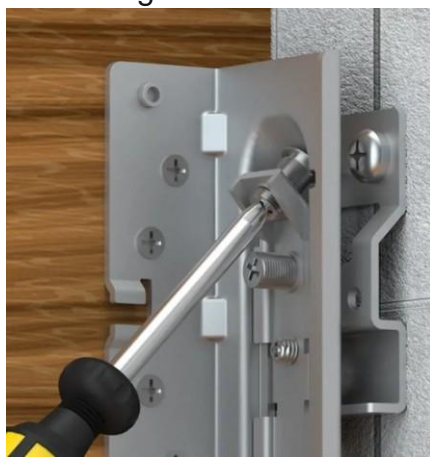
6



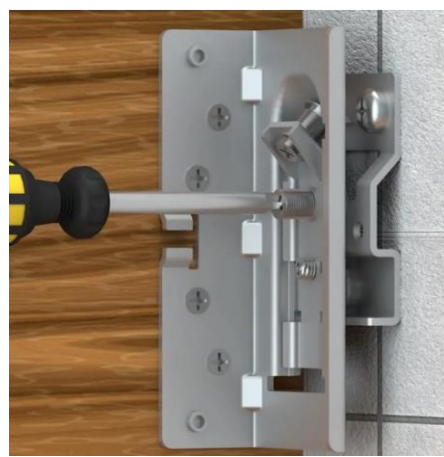
hang the tv unit on the wall



adjust the tv unit's height and balance



fix the screws



fix the other screw for safety



place the covers from inside of tv unit



02-24